



HUSKY[®]

Instruction manual

▪ Chest Freezers HUS-198CHE & HUS-295CHE & HUS142CHE



To ensure safe operation, please read this instruction manual thoroughly before use.

Please retain for future reference.

Husky reserve the right due to possible changes to design to alter the instruction manual without notice.





Welcome to your new Husky

Thank you for buying this Husky chest freezer. It has been designed and manufactured for many years of trouble-free service.

Operation is very simple, but please take a few minutes to read this user manual. It contains important safety information, and tips to ensure you receive the best possible service from your Husky unit.

CONTENTS

Safety warnings.....	3
Installation	3
Location	3
Levelling the unit.....	4
Cleaning before use.....	4
Before using your unit.....	4
Interior accessories.....	4
Product overview.....	5
Operation	5
Switching on your unit.....	5
Locking and unlocking.....	5
Convert display from Fahrenheit to Celsius.....	6
Setting the temperature.....	6
Quick Freeze mode.....	6
High temperature alarm.....	6
Power off memory.....	6
Failure code	6
Cleaning.....	7
Cleaning the interior and exterior of the unit.....	7
Defrosting.....	7
Maintenance	7
Care when handling/moving the unit	7
Servicing.....	7
Switching off for long periods of time.....	7
Troubleshooting.....	8
Tips for energy saving.....	9
Disposal.....	9
Correct disposal of this product.....	9
How to arrange service and obtain spare parts.....	Back page



Safety warnings

WARNING Keep ventilation grilles clear of obstruction in both the unit and its housing.

WARNING Do not use mechanical devices or other means to accelerate the defrosting process, other than those recommended by the manufacturer.

WARNING Do not damage the refrigerant circuit.

WARNING Do not use electrical appliances inside the food storage compartments of the appliance, unless they are of the type recommended by the manufacturer.

- The appliance must be unplugged after use and before carrying out user maintenance on the appliance.
- This appliance may be used by children aged from 8 years and above and persons with reduced physical sensory or mental capabilities or lack of experience and knowledge provided they have been given supervision or instruction concerning use of the appliance in a safe way and that they understand the hazards involved. Children must not play with the appliance. Cleaning and user maintenance must not be carried out by children without supervision.
- If the power cord is damaged it must be replaced by the manufacturer, its service agent or similarly qualified persons in order to avoid a hazard.
- Dispose of the freezer strictly in accordance with local regulations for the disposal of flammable blowing gas and refrigerant.
- Before you dispose of the appliance, remove the doors to prevent children becoming trapped.
- This appliance is intended to be used in household and similar applications such as:
 - staff kitchen areas in shops, offices and other working environments;
 - farm houses and by clients in hotels, motels and other residential type environments;
 - bed and breakfast type environments;
 - catering and similar non-retail applications.
- Do not store explosive substances such as aerosol cans with flammable propellant in the unit.

IT IS HAZARDOUS FOR ANYONE OTHER THAN AUTHORISED SERVICE PERSONNEL TO CARRY OUT SERVICING OR REPAIRS WHICH INVOLVE THE REMOVAL OF COVERS.

TO AVOID THE RISK OF ELECTRICAL SHOCK DO NOT ATTEMPT REPAIRS YOURSELF.



Installation

LOCATION

When selecting a position for your unit you should make sure the floor is flat and firm and the room is well ventilated. Avoid locating your unit near a heat source, e.g. cooker, boiler or radiator. Also avoid direct sunlight as this may increase the electrical consumption. Extreme cold ambient temperatures may also cause the unit not to perform properly. This unit is not designed for use in a garage or outdoor installation. Do not cover the unit.

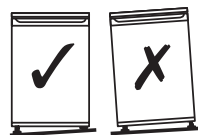
When installing the unit, ensure there is at least 10cm of free space at the sides and rear of the unit. This will allow air to circulate around the appliance and improve the efficiency of the



cooling process. Ensure there is at least 70cm of free space at the top of the unit to allow for the lid to be opened.

LEVELLING THE UNIT

To do this adjust the levelling feet at the front of the unit. If the unit is not level, the door and magnetic seals will not be aligned properly. Ensure that the feet touch the ground before use. Looking down from the top, adjust the levelling feet by turning them clockwise or anticlockwise.



CLEANING BEFORE USE

Wipe the inside of the unit with a weak solution of bicarbonate soda, then rinse with warm water using a wrung-out sponge or cloth. Wash the baskets in warm soapy water and dry completely before replacing in the unit. Clean the exterior of the unit with a damp cloth. If you require more information refer to the Cleaning section.

BEFORE USING YOUR UNIT

This freezer is intended for the storage of frozen food. Food should be consumed within the shelf time.

Do not damage the power cord under any condition so as to ensure safety use. Do not use when the power cord is damaged or the plug is worn.

Do not put flammable, explosive, volatile or highly corrosive items in the freezer to prevent damage to the product or risk of fire.

Do not place flammable items near the freezer to avoid risk of fire.

This product is a household freezer and shall be suitable only for the storage of foods. According to national standards, household freezers shall not be used for other purposes, such as storage of blood, drugs or biological products.

To prevent bursts and other losses, do not place items such as bottled or sealed containers of fluid such as bottled beers and beverages in the freezer.

Before placing any food in your unit, turn it on and wait for 24 hours, to make sure it is working properly and to allow it time to fall to the correct temperature. Your unit should not be overfilled.



BEFORE PLUGGING IN – You must check that you have a socket which is compatible with the plug supplied with the unit.

BEFORE TURNING ON – Do not turn on until two hours after moving the unit.

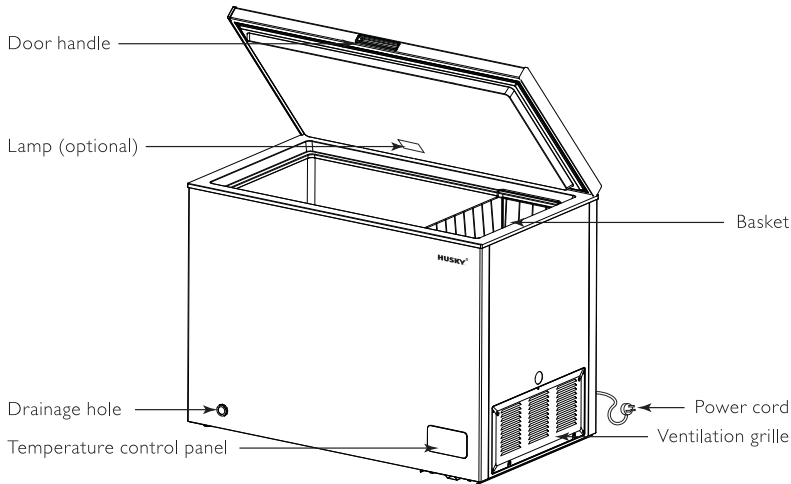
INTERIOR ACCESSORIES

Baskets are included with your appliance. In order to make the most of the volume of the frozen food storage compartment, you can remove one or more baskets from the appliance, to your personal preference.



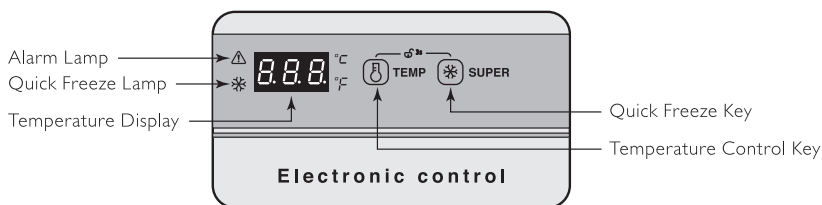
Product overview

- All images in this instruction manual are for illustration only. Please refer to your individual unit for details.



Operation

SWITCHING ON YOUR UNIT



When turning on the freezer, the display panel illuminates for three seconds. The appliance will then enter normal display mode. The default set temperature is -18°C .

LOCKING AND UNLOCKING

To prevent tampering, you may lock the control panel.

- To lock, press the Temperature Control Key and the Quick Freeze Key simultaneously for three seconds. The display will flash for several seconds then enter normal display. The control panel will now be locked.



- To unlock the control panel, press the Temperature Control Key and the Quick Freeze Key simultaneously for three seconds. The control panel will now be unlocked and the temperature can be adjusted.

CONVERT DISPLAY FROM FAHRENHEIT TO CELSIUS

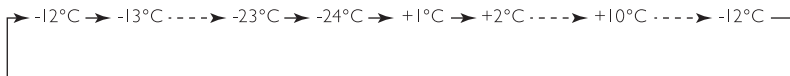
To switch the display from Fahrenheit to Celsius and vice versa, press the Temperature Control Key for three seconds.

SETTING THE TEMPERATURE

Ensure the control panel is unlocked (see above).

In freezer mode, press the Temperature Control Key to change the set temperature. For each press of the Key, the set temperature will FALL by 1°C. When the Temperature Display shows -24°C, pressing the Temperature Control Key again will convert the freezer into a refrigerator and the Temperature Display will show 1°C. In refrigerator mode, each press of the Temperature Control Key will INCREASE the set temperature by 1°C.

Temperature adjustment mode in Celsius is as follows:



QUICK FREEZE MODE

- To enter Quick Freeze mode, press the Quick Freeze Key. The Quick Freeze lamp will illuminate.
- To exit Quick Freeze mode, press the Quick Freeze Key again. The Quick Freeze lamp will extinguish.

IMPORTANT NOTES:

- When the continuous running time in Quick Freeze mode reaches 24 hours, Quick Freeze mode will automatically exit.
- “-24” will appear in the Temperature Display and the compressor will run continuously.

HIGH TEMPERATURE ALARM

In case of power failure, the previous settings will be memorised till power is restored.

POWER OFF MEMORY

In case of power failure, the previous settings will be memorised till power is restored.

FAILURE CODE

When the following alert appears in the Temperature Display, then failure occurs in the freezer:

FAILURE CODE	E2
DESCRIPTION	FAILURE OF TEMPERATURE SENSOR



Cleaning

CLEANING THE INTERIOR & EXTERIOR OF THE UNIT

Turn the unit off.

Remove all contents from the freezer and store it properly to prevent food becoming defrosted.

- Wipe the inside of the unit and the baskets with a weak solution of bicarbonate soda, then rinse with warm water using a damp sponge or cloth. Wipe completely dry and ensure the freezer has reached a safe temperature for the storage of frozen food before returning the contents.
- Use a damp cloth to clean the exterior; then wipe with a standard furniture polish. Make sure that the door is closed to avoid getting polish onto the magnetic door seal or inside the unit.
- The grille of the condenser at the back of the unit and the adjacent components should be vacuumed using a soft brush attachment. This will aid

DEFROSTING

Turn the unit off.

Remove all contents from the freezer and store it properly to prevent food becoming defrosted.

Leave the top lid open. Remove the plug from the drainage hole at the front of the freezer and place a container underneath it to drain off the melt water. Check regularly to prevent the container overflowing.

You can use the ambient temperature for natural defrost. Only use a plastic or wooden ice shovel to avoid damage to the liner or drain pipe. Never use metal or sharp tools to clear ice.

You may also use an appropriate amount of hot water to speed up the defrost. Use a clean towel to dry the water after defrosting.

After defrosting, return the foods to the unit and turn it on.

Maintenance

CARE WHEN HANDLING/MOVING THE UNIT

Do to its weight, take great care when moving the unit. Under no circumstances should it be lifted by holding the top lid.

SERVICING

The unit should only be serviced by an authorised engineer and only genuine spare parts should be used. Under no circumstances should you attempt to repair the unit yourself. Repairs carried out by inexperienced persons may cause injury or serious malfunction. Contact a qualified technician.

SWITCHING OFF FOR LONG PERIODS OF TIME

When the unit is not in use for a long period, disconnect it from the power supply, empty all food and clean the appliance. Leaving the door ajar will help to prevent the build-up of unpleasant odours.



Troubleshooting

Before calling for after-sales service, please check the following points; you may be able to solve any problem yourself.

Problem	Solution
The appliance does not work.	<ul style="list-style-type: none">• Check that the unit is plugged in and switched on.• Check for power failure, low voltage, or tripped circuit breaker.
There is an unpleasant odour.	<ul style="list-style-type: none">• Strong-smelling foods should be wrapped closely.• Check if foods are out of date or mouldy.• Clean the interior
The compressor may be heard working constantly.	<ul style="list-style-type: none">• It is normal for the freezer to operate for longer where the ambient temperature is higher.• Do not load the freezer with too much fresh contents at one time.• Do not put hot food into the unit. Wait for it to cool to room temperature first.• The lid is being opened too often• There is a thick frost layer. Defrost the appliance.
The light does not work	<ul style="list-style-type: none">• Check that the unit is plugged in and switched on.• Check the light for damage.
The lid cannot be closed properly	<ul style="list-style-type: none">• Check that contents are not obstructing proper closure of the lid.• Check the unit is not overfilled.• Check that the unit is level and stable.
The unit is excessively noisy.	<ul style="list-style-type: none">• Check that the unit is level and stable.• Check the contents for loose items that may be vibrating against the interior walls.
Temporary difficulty in opening the lid	<ul style="list-style-type: none">• After opening the door there will be a difference in internal pressure which may result in temporary difficulty in opening the unit. This is normal.
The cabinet is warm to the touch	The freezer enclosure may emit heat during operation specially in summer. This is part of normal operation.
There is condensation on the exterior of the freezer	Condensation may be seen on the exterior surface when the ambient humidity is high. This is a normal phenomenon, and any condensation may be wiped away with a clean cloth.



Tips for energy saving

- Try not to open the lid too often, especially when the weather is humid and hot. If you open the door, close it as soon as possible.
- Ensure the appliance has sufficiently ventilation, including adequate air circulation behind the appliance.
- Before loading the appliance with fresh food, ensure it is cooled to room temperature.
- A build-up of ice and frost will increase energy consumption, so clean the appliance as soon as the layer is 3-5 mm thick.
- If the unit has an external condenser, the back wall should be clean and free of dust or dirt.
- The appliance should be located in the coolest area of the room, away from heat producing appliances or heating ducts, and out of direct sunlight.
- Allow hot foods to cool to room temperature before placing in the appliance. Overloading the appliance forces the compressor to run longer. Foods that freeze too slowly may lose quality, or spoil.
- Be sure to wrap foods properly, and wipe containers dry before placing them in the appliance. This cuts down on frost build-up inside the appliance.
- Organise and label food to reduce openings. Remove only as many items as needed at any one time, and close the door as soon as possible.

Disposal

Old units still have some residual value. An environmentally friendly method of disposal will ensure that valuable raw materials can be recovered and used again. The refrigerant used in your unit and insulation materials require special disposal procedures. Ensure that none of the pipes on the back of the unit are damaged prior to disposal. Up to date information concerning options of disposing of your old unit and packaging from the new one can be obtained from your local council office.

When disposing of an old unit, break any locks or latches and remove the door as a safeguard to prevent children becoming trapped.

CORRECT DISPOSAL OF THIS PRODUCT



This marking indicates that this product should not be disposed with other household wastes throughout the EU. To prevent possible harm to the environment or human health from uncontrolled waste disposal, recycle it responsibly to promote the sustainable reuse of material resources. To return your used device, please use the return and collection systems or contact the retailer where the product was purchased. They can take this product for environmental safe recycling.

For more information, please contact your local authority or the retailer where you purchased the product.



NOTES



NOTES





How to arrange service and obtain spare parts

For service and spare parts contact 1300 762 219

Notice to Australian customers:

Our goods come with guarantees that cannot be excluded under the Australian Consumer Law. You are entitled to a replacement or refund for a major failure and compensation for any other reasonably foreseeable loss or damage. You are also entitled to have the goods repaired or replaced if the goods fail to be of acceptable quality and the failure does not amount to a major failure.

Notice to New Zealand customers:

Our goods come with guarantees that cannot be excluded under the Consumer Guarantees Act 1993. This warranty should not be construed as any attempt to contract out of or exclude any or the guarantees available to any consumers under this Act provided that you agree that the provisions of the Consumer Guarantees Act 1993 will not apply if you are acquiring the goods for the purpose of a business.



HUSKY[®]

HUSKY REFRIGERATION

Distributed by Arisit Pty LTD.

Australia:

40-44 Mark Anthony Dr, Dandenong South VIC 3175, Australia.
AUS Contact Number: 1300 762 219

New Zealand:

1A Howe Street, Freemans Bay, Auckland 1010, New Zealand.
NZ Contact number: 09 306 10 20

Web: www.huskybrand.com.au
Service: 1300 762 219
Warranties Email: arisit.warranties@arisit.com

260219

