



HUSKY[®]

User manual: Stainless steel CSS1 Refrigerator and FSS2 Freezer



To ensure safe operation, please read this user manual thoroughly before use.

© 2017 Husky. Husky reserve the right to change specifications at any time without notice.
Images used are for illustration only. Stock not included.





Welcome to your new Husky

Thank you for buying this Husky commercial refrigerator/freezer. It has been designed and manufactured for many years of trouble-free service.

Operation is very simple, but please take a few minutes to read this user manual. It contains important safety information, and tips to ensure you receive the best possible service from your Husky unit.

CONTENTS

Important Notes.....	3
Warning! Risk of electrical shock hazard.....	3
Disposal of old refrigerators.....	3
WEEE Compliance	3
Safety instructions and warnings.....	3
Before using for the first time.....	4
Troubleshooting.....	5
CSS1 Refrigerator & FSS2 Freezer.....	6
Operating Instructions.....	6
Illustration.....	7
Circuit diagram.....	8





All models

Important Notes

WARNING: RISK OF ELECTRICAL SHOCK HAZARD

USERS IN EUROPE: This refrigeration unit must be earthed.

If the power cable is damaged, it must be replaced by a qualified engineer to avoid shock hazard. **DO NOT ATTEMPT TO SERVICE THE ITEM YOURSELF.** Ensure that the unit is properly earthed. Stop using the unit immediately if electric shock is felt when touching the cabinet.



DISPOSAL OF OLD REFRIGERATORS

BE SURE TO MAKE ANY LOCKS UNUSABLE. IF POSSIBLE, REMOVE THE DOOR(S) AND DISCARD SEPARATELY.

WARNING – CHEMICAL HAZARD: DO NOT ALLOW CHILDREN TO PLAY WITH OLD REFRIGERATORS. CONTACT YOUR LOCAL AUTHORITY FOR PROPER DISPOSAL PROCEDURES.

Before disposing of an old refrigerator, please make sure it is switched off and safe. Unplug the refrigerator and break any locks in order to avoid children becoming trapped.

Please note: the refrigeration system contains gases and refrigerants which require specialist waste disposal. The valuable materials contained in a refrigerator can be recycled.

Contact your local waste disposal depot for proper disposal of an old refrigerator and contact your local authority or dealer if you have any questions.

Ensure the pipework of your refrigerator is not damaged prior to disposal. You can contribute to the environmental awareness by insisting on an appropriate non-polluting method of disposal.

WEEE COMPLIANCE

Husky refrigerators/freezers are authorised to carry the CE (Conformité Européene) and WEEE (Waste Electrical and Electronic Equipment Directive) symbols.

The WEEE symbol on this unit indicates that the product must not be disposed of with household waste. To help prevent possible harm to health and the environment, the product must be disposed of by recycling methods authorised as environmentally safe. For more information on how to dispose of this product appropriately, contact your dealer or the recycling department at your local authority. Husky refrigerators/freezers and their components undergo strict product testing by independent companies to comply or exceed all applicable local and international regulatory standards.



SAFETY INSTRUCTIONS & WARNINGS

Before switching on your Husky commercial refrigerator/freezer, read the information in this user manual carefully. The user manual contains important observations relating to the assembly, operation and maintenance of the unit.

Please keep this user manual in a safe place for future reference. If you ever sell this unit, hand this user manual to the new owner.





The manufacturer does not accept responsibility for any damages that may arise due to non-observation of these instructions.

- Do not use the unit if it is damaged. If you are in any doubt, consult an engineer.
- Connection and installation of your Husky unit are to be carried out in strict compliance with the relative instructions in this user manual.
- Make sure there is a suitable power outlet (230 volts, 13 amps outlet) with proper grounding to power the refrigerator/freezer.
- For safety, the unit must be properly earthed in accordance with specifications.
- Always remember to unplug the unit before cleaning. Never unplug this unit by pulling on the power cable. Always grip plug firmly and pull straight out from the socket.
- All electrical repairs must be carried out by a qualified engineer. Inadequate repairs may be dangerous.
- Do not damage any parts of the unit which carry refrigerant by piercing, perforating, crushing, twisting or scraping. If refrigerant comes into contact with the eyes it may cause serious eye injury.
- Do not obstruct or cover the ventilation grille.
- Do not allow children to play with the unit, or to sit on it or hang onto the door.
- This unit is not intended for use by persons (including children) with reduced physical, sensory or mental capabilities, or lack of experience and knowledge, unless they have been given supervision or instruction concerning use of the unit by a person responsible for their safety.

BEFORE USING FOR THE FIRST TIME



IMPORTANT: Before switching the unit on, we recommend you allow it to stand upright for 8 hours. Failure to do this may result in damage to the unit.

- Remove the wooden pallet and the packing.
- To ensure correct operation, it is important that the unit is level. Use a spirit level to check.
- Before operation, the protective film must be removed. We recommend that the cabinet is cleaned for reasons of hygiene and to remove any residue left from manufacture.
- For good circulation, vents must not be blocked. Keep a minimum of 20mm of clear space around the refrigerator/freezer. Your Husky unit should be placed on flat and firm surface for quieter operation.
- Do not expose the unit to direct sunlight or a heat source such as ovens, radiators, heaters, etc.
- Do not under any circumstances place heated food or beverages in your Husky commercial refrigerator/freezer.
- Do not open the door more often than necessary to lessen the escape of cold air.
- For better air circulation, do not overfill the unit.
- Adjust the thermostat according to the amount of product and the ambient temperature.





Troubleshooting

Before calling Technical Support, please check the following points; you may be able to solve any problem yourself.

Problem	Solution
The sound of flowing liquid may be heard.	This is the refrigerant circulating and is part of normal operation.
There is frost on the unit.	A little frost develops if the ambient humidity is high. Wipe away with a soft cloth.
The compressor cannot be heard but the refrigerator/freezer's inner temperature reads normally.	This is part of normal operation. High levels of insulation means that the compressor may not need to operate for long periods.
Compressor does not work.	<ol style="list-style-type: none">1. Check the power cable is connected and the socket is switched on.2. Check the fuse and replace with a fuse of a similar rating if necessary.3. Check the power switch is in the ON position and the thermostat is on the correct setting.
The unit is excessively noisy.	Check the floor is level and the unit is securely positioned.
The compressor may be heard working constantly.	If the temperature inside is too high, this constant running of the compressor may be explained by: <ol style="list-style-type: none">1. Warm items being placed into the unit. Ensure warm items are never placed into the unit.2. The doors are not being closed properly. Always ensure the doors are closed securely.3. A build-up of ice on the evaporator. Defrost the refrigerator/freezer regularly.
	If the temperature inside is correct, then this constant running may be due to: <ol style="list-style-type: none">1. The ambient temperature is too high. If possible try to move the unit to a cooler location, or out of direct sunlight.2. The thermostat is set too low. Check and adjust as necessary.3. The thermostat is not working correctly. Refer to an engineer.

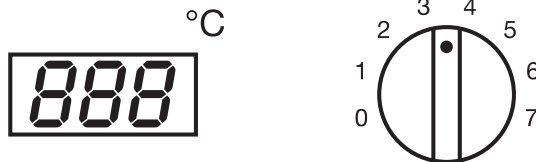




Stainless steel CSS1 Refrigerator & FSS2 Freezer

Operating Instructions

TO OPERATE THE THERMOSTAT



Connect the unit to a power outlet. The unit will start automatically.

Select your desired temperature using the control knob:

- 0 = OFF
- 1 = Least cold setting
- 7 = Coldest setting.

DEFROSTING

The unit defrosts automatically at preset intervals. If however the doors are opened too often, or if the unit is in a location with high humidity, or if the contents are changed more frequently, it may be necessary to defrost the unit manually.

CLEANING

The condenser and the compressor compartment **MUST** be cleaned quarterly in order to ensure appropriate temperature control and maintain energy efficiency. Use a vacuum cleaner fitted with a soft brush attachment to remove dust carefully from the condenser, the components and grilles.

The external and internal surfaces of the unit should be cleaned regularly. Switch the unit off and disconnect the plug from the mains socket. Clean the external and internal surfaces of the unit with a mild soap solution, then wipe dry. Do **NOT** use cleansers containing chlorine or other harsh cleansing agents, as these can damage the stainless steel surfaces and components. Use mild soapy water to clean the gasket and seals.

GETTING SERVICE ASSISTANCE

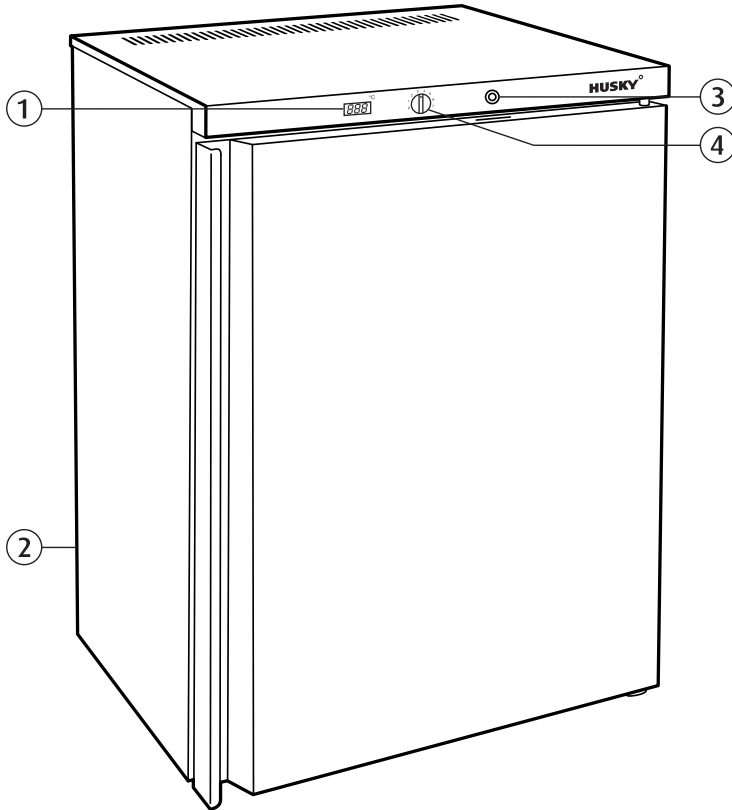
The cooling system is a hermetically sealed circuit and does not require any maintenance other than regular cleaning (see 'Cleaning').

If the unit fails to work, first check the power supply. If you cannot locate the reason for the failure, please contact your supplier, stating the model and serial number of the cabinet. You may find this information on the rating plate, which is affixed on the back wall.





(Model CSSI pictured)



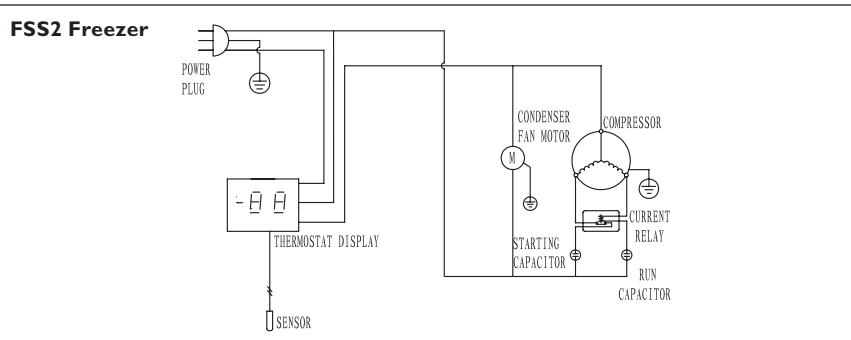
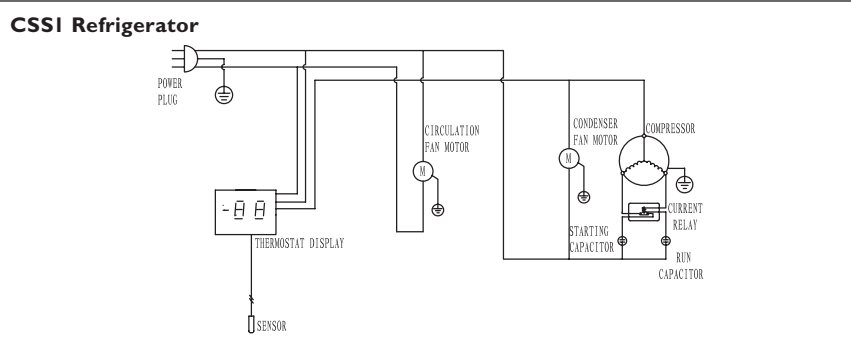
1. Temperature display
2. Condenser/compressor compartment
3. Lock
4. Control knob





Stainless steel CSS1 Refrigerator & FSS2 Freezer

Circuit Diagram











Welcome to Husky, the home of smart refrigeration. We are a leading global refrigeration specialist with over 25 years experience in quality refrigeration for convenience and hospitality professionals, and we have a great range of chillers for the home too. You'll find Husky products all over the world, so whatever your requirements we're sure to have a good looking energy-efficient model that's perfect for you.

HUSKY[®]

HELPLINE/TECHNICAL SUPPORT

To contact your local technical support, refer to the rating plate on the inside wall or the back of your unit.

010617

