



# HUSKY<sup>®</sup>

## Instruction manual

▪ Refrigerators HUS-46WH, HUS-69WH & HUS-95WH



**To ensure safe operation, please read this instruction manual thoroughly before use.**  
Please retain for future reference.  
Husky reserve the right due to possible changes to design to alter the instruction manual without notice.



## Welcome to your new Husky

Thank you for buying this Husky refrigerator. It has been designed and manufactured for many years of trouble-free service.

Operation is very simple, but please take a few minutes to read this user manual. It contains important safety information, and tips to ensure you receive the best possible service from your Husky unit.

### CONTENTS

Safety warnings.....	3
Installation .....	3
Location .....	3
Reversing the door swing.....	4-5
Levelling the unit.....	6
Cleaning before use.....	6
Before using your unit.....	6
Interior accessories.....	7
Product overview.....	7
HUS-46WH/HUS-69WH.....	7
HUS-95WH.....	8
Operation.....	8
Switching on your unit.....	8
Noise inside the unit.....	9
Tips for keeping food in the unit.....	9
Cleaning.....	9
Defrosting.....	9
Cleaning the interior and exterior of the unit.....	9
Cleaning tips.....	10
Maintenance .....	10
Care when handling/moving your unit.....	10
Servicing.....	10
Switching off for long periods of time.....	10
Troubleshooting.....	10
Troubleshooting notes.....	11
Tips for energy saving.....	11
Disposal.....	12
How to arrange service and obtain spare parts.....	Back page



## Safety warnings

**WARNING** Keep ventilation grilles clear of obstruction in both the unit and its housing.

**WARNING** Do not use mechanical devices or other means to accelerate the defrosting process, other than those recommended by the manufacturer.

**WARNING** Do not damage the refrigerant circuit.

**WARNING** Do not use electrical appliances inside the food storage compartments of the appliance, unless they are of the type recommended by the manufacturer.

- The appliance must be unplugged after use and before carrying out user maintenance on the appliance.
- This appliance may be used by children aged from 8 years and above and persons with reduced physical sensory or mental capabilities or lack of experience and knowledge provided they have been given supervision or instruction concerning use of the appliance in a safe way and that they understand the hazards involved. Children must not play with the appliance. Cleaning and user maintenance must not be carried out by children without supervision.
- If the power cord is damaged it must be replaced by the manufacturer, its service agent or similarly qualified persons in order to avoid a hazard.
- Dispose of the refrigerator strictly in accordance with local regulations for the disposal of flammable blowing gas and refrigerant.
- Before you dispose of the appliance, remove the doors to prevent children becoming trapped.
- This appliance is intended to be used in household and similar applications such as:
  - staff kitchen areas in shops, offices and other working environments;
  - farm houses and by clients in hotels, motels and other residential type environments;
  - bed and breakfast type environments;
  - catering and similar non-retail applications.
- Do not store explosive substances such as aerosol cans with flammable propellant in the unit.

**IT IS HAZARDOUS FOR ANYONE OTHER THAN AUTHORISED SERVICE PERSONNEL TO CARRY OUT SERVICING OR REPAIRS WHICH INVOLVE THE REMOVAL OF COVERS.**

**TO AVOID THE RISK OF ELECTRICAL SHOCK DO NOT ATTEMPT REPAIRS YOURSELF.**



## Installation

### LOCATION

When selecting a position for your unit you should make sure the floor is flat and firm and the room is well ventilated. Avoid locating your unit near a heat source, e.g. cooker, boiler or radiator. Also avoid direct sunlight as this may increase the electrical consumption. Extreme cold ambient temperatures may also cause the unit not to perform properly. This unit is not designed for use in a garage or outdoor installation. Do not cover the unit.

When installing the unit, ensure there is at least 5cm of free space at the sides, 5cm at the rear, and 10cm at the top of the unit. This will allow air to circulate around the appliance and improve the efficiency of the cooling process.

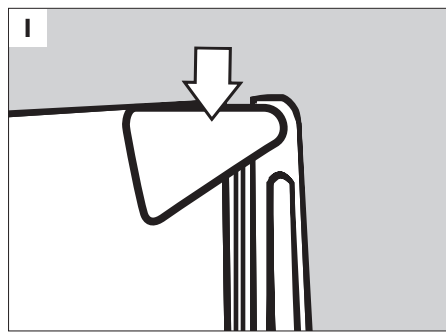


## REVERSING THE DOOR SWING

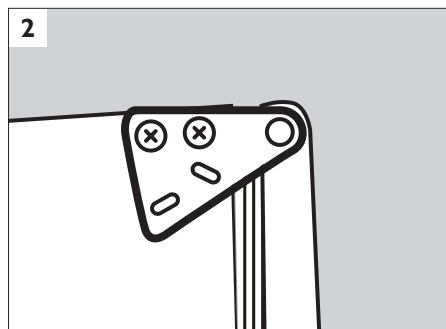
• All images in this instruction manual are for illustration only. Please refer to your individual unit for details.

Tools required:

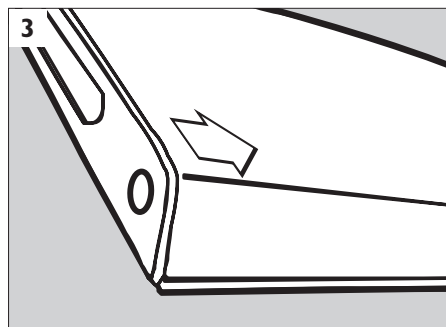
- Phillips style screwdriver
- Flat screwdriver
- Hexagonal spanner



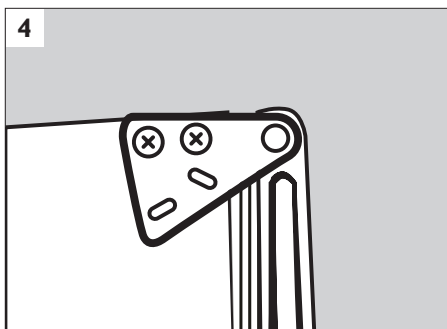
1. Remove the plastic hinge cover at top right. Do not unscrew the top bracket until step (4).



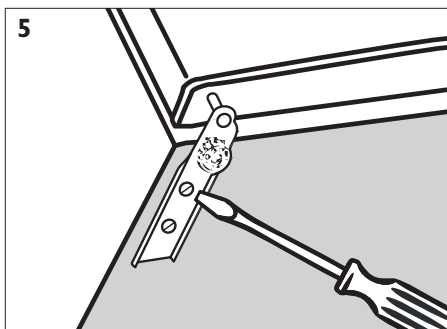
2. Looking underneath the unit, unscrew the adjustable foot from the bottom bracket. Remove the two screws that fix the bottom bracket to the base of the unit. Place the foot, bracket and two screws safely to one side.



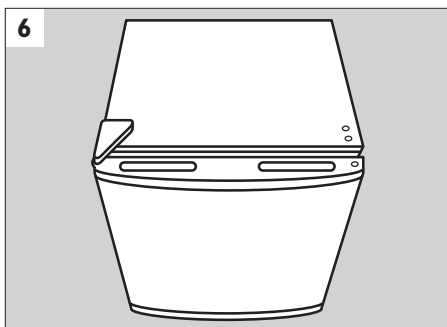
3. Slide the door down approximately 15cm off the top hinge pin and lift away from the appliance. Place the door safely to one side, taking care not to scratch it or any delicate surfaces.



4. Remove the two screws that fix the top bracket to the unit. Carefully remove the blanking caps on the left side of the top plate. Now screw the top bracket into the two holes which have become visible on the left side. Replace the plastic hinge cover. For a neat finish the blanking caps may now be fitted into the holes on the right side.



5. Slide the door onto the top hinge pin, making sure that the door is the right way up. Screw the bottom hinge into its new position on the left side of the bottom. Replace the adjustable foot.

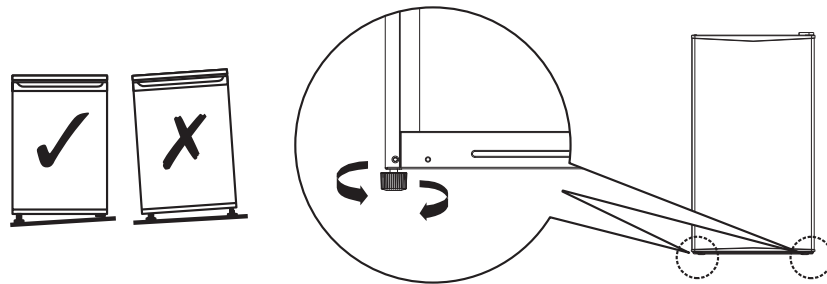


6. Before final tightening of the bottom bracket, check that the door is aligned both horizontally and vertically. Also check that the door seals are closed securely on all sides. The finished appliance will look similar to the illustration shown here. Re-adjust the levelling foot so the unit is stable and level.



## LEVELLING THE UNIT

To do this adjust the levelling feet at the front of the unit. If the unit is not level, the door and magnetic seals will not be aligned properly. Ensure that the feet touch the ground before use. Looking down from the top, adjust the levelling feet by turning them clockwise or anticlockwise.



## CLEANING BEFORE USE

Wipe the inside of the unit with a weak solution of bicarbonate soda, then rinse with warm water using a wrung-out sponge or cloth. Wash the shelves in warm soapy water and dry completely before replacing in the unit. Clean the exterior of the unit with a damp cloth. If you require more information refer to the Cleaning section.

## BEFORE USING YOUR UNIT

Do not damage the power cord under any condition so as to ensure safety use. Do not use when the power cord is damaged or the plug is worn.

Do not put flammable, explosive, volatile or highly corrosive items in the refrigerator to prevent damage to the product or risk of fire.

Do not place flammable items near the refrigerator to avoid risk of fire.

This product is a household refrigerator and shall be suitable only for the storage of foods. According to national standards, household refrigerators shall not be used for other purposes, such as storage of blood, drugs or biological products.

To prevent bursts and other losses, do not place items such as bottled or sealed containers of fluid such as bottled beers and beverages in the freezer compartment.

Before placing any food in your unit, turn it on and wait for 24 hours, to make sure it is working properly and to allow it time to fall to the correct temperature. Your unit should not be overfilled.



**BEFORE PLUGGING IN – You must check that you have a socket which is compatible with the plug supplied with the unit.**

**BEFORE TURNING ON – Do not turn on until two hours after moving the unit.**



## INTERIOR ACCESSORIES

Various glass or plastic storage shelves are included with your appliance. Different models have different combinations.

If your model is fitted with a fruit and vegetable drawer, you should always slide one of the full size glass storage shelves into the lowest set of guides, above the drawer, and keep it in this position. To do this, pull the storage shelf forward until it can be swivelled upwards or downwards and removed.

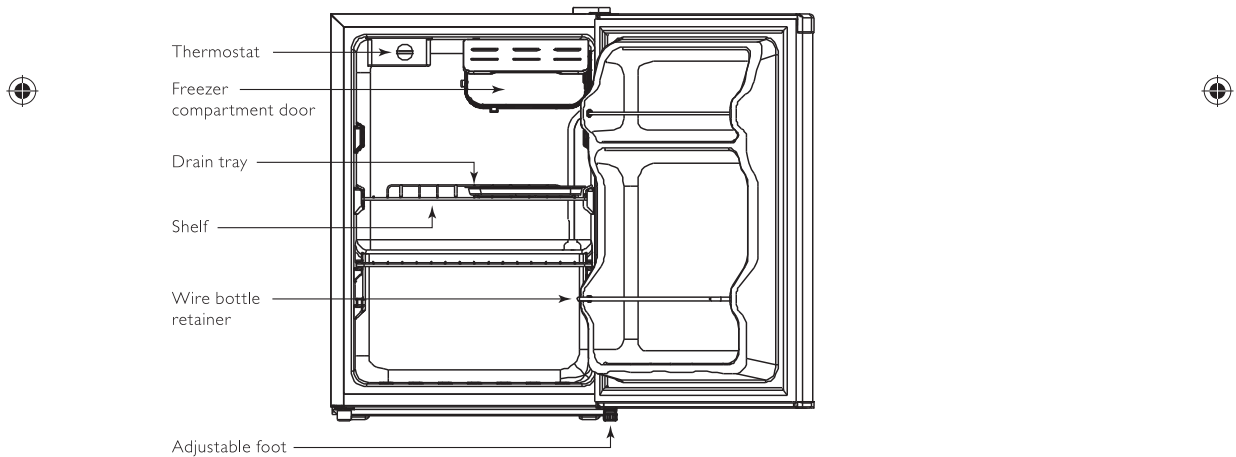
To insert the shelf at a different height, do the above operation in reverse.

- In order to make the most of the volume of the fresh food storage compartment and frozen food storage compartment, you can remove one or more shelves or drawers out of the appliance, to your personal preference.

## Product overview

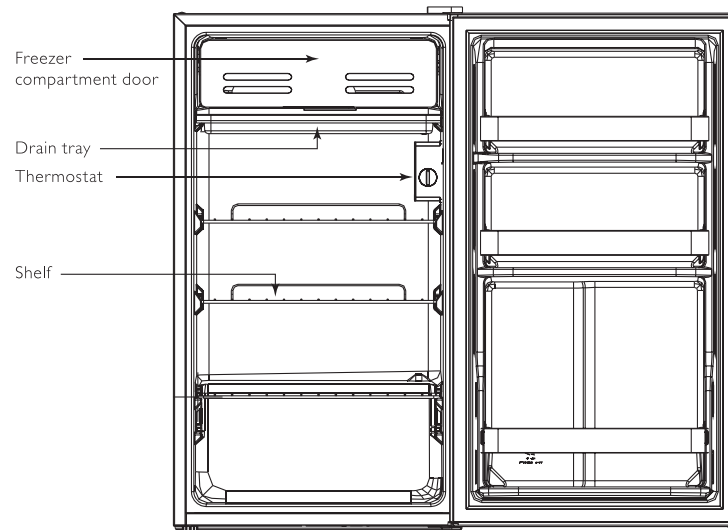
- All images in this instruction manual are for illustration only. Please refer to your individual unit for details.

### HUS-46WH/HUS-69WH





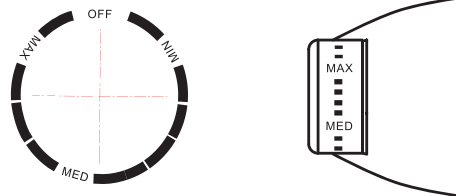
## HUS-95WH



## Operation

### SWITCHING ON YOUR UNIT

The design of the temperature selector knob may vary, depending on your model:



**Setting "Off" – the appliance is turned off**

**Setting "Min" – the temperature inside the unit will be less cold**

**Setting "Med" – normal operation (adequate for most situations)**

**Setting "Max" – the temperature inside the unit will be at its coldest**

During high ambient temperatures, e.g. on hot summer days, it may be necessary to set the thermostat to the coolest setting (the "Max" setting). This may cause the compressor to run continuously in order to maintain a low temperature inside the cabinet.

When you first install your refrigerator, set the thermostat knob to "Med". Give your







refrigerator time to cool down completely before adding food. It is best practice to wait 24 hours before adding food. The thermostat knob controls the temperature.

## NOISE INSIDE THE UNIT

You may notice that your unit makes some unusual noises. Most of these are perfectly normal, but you should be aware of them.

These noises are caused by the circulation of the refrigerant liquid in the cooling system. It has become more pronounced since the introduction of CFC free gases. This is not a fault and will not affect the performance of your unit. This is the compressor motor working as it pumps the refrigerant around the system.

## TIPS FOR KEEPING FOOD IN THE UNIT

Cooked meat and fish should always be stored on a shelf above raw meat and fish to avoid bacterial transfer. Keep raw meat and fish in a container which is large enough to collect juices and cover it properly. Place the container on the lowest shelf.

- Leave space around your food, to allow air to circulate inside the unit. Ensure all parts of the unit are kept cool.
- To prevent transfer of flavours and drying out, pack or cover the food separately. Fruit and vegetables do not need to be wrapped.
- Always let pre-cooked food cool down before you put in the unit. This will help to maintain the internal temperature of the unit.
- To prevent cold air escaping from the unit, try to limit the number of times you open the door. We recommend that you only open the door when you need to put food in or take food out.

## Cleaning

### DEFROSTING

Turn the unit off.

Remove the food from the refrigerator and store it properly to keep it cold. Clear the drain pipe using soft materials to prevent damage to the liner. Prepare the water containers for defrosting. Pay close attention to the compressor compartment water tray to prevent water overflowing.

You can use the ambient temperature for natural defrost, or you can also use the ice shovel to clear any frost. Only use a plastic or wooden ice shovel to avoid damage to the liner or drain pipe. Never use metal or sharp tools to clear ice.

You may also use an appropriate amount of hot water to speed up the defrost. Use a clean towel to dry the water after defrosting.

After defrosting, return the foods to the unit and turn it on.

### CLEANING THE INTERIOR & EXTERIOR OF THE UNIT

Remove all the shelves.

- Wipe the inside of the unit with a weak solution of bicarbonate soda and then rinse with warm water using a damp sponge or cloth. Wipe completely dry before replacing the shelves.



- Use a damp cloth to clean the exterior; then wipe with a standard furniture polish. Make sure that the door is closed to avoid getting polish onto the magnetic door seal or inside the unit.
- The grille of the condenser at the back of the unit and the adjacent components may be vacuumed using a soft brush attachment.

### **CLEANING TIPS**

Condensation may appear on the outside of the unit. This may be due to a change in room temperature. Any moisture may be wiped away with a clean cloth. If the problem continues, contact a qualified technician for assistance.

## **Maintenance**

### **CARE WHEN HANDLING/MOVING THE UNIT**

Hold the unit around its sides or base when moving it. Under no circumstances should it be lifted by holding the edges of the top surface.

### **SERVICING**

The unit should only be serviced by an authorised engineer and only genuine spare parts should be used. Under no circumstances should you attempt to repair the unit yourself. Repairs carried out by inexperienced persons may cause injury or serious malfunction. Contact a qualified technician.

### **SWITCHING OFF FOR LONG PERIODS OF TIME**

When the unit is not in use for a long period, disconnect it from the power supply, empty all food and clean the appliance. Leaving the door ajar will help to prevent the build-up of unpleasant odours.

## **Troubleshooting**

Before calling for after-sales service, please check the following points; you may be able to solve any problem yourself.

<b>Problem</b>	<b>Solution</b>
The appliance does not work.	<ul style="list-style-type: none"><li>• Check that the unit is plugged in and switched on.</li><li>• Check for power failure, low voltage, or tripped circuit breaker.</li></ul>
There is an unpleasant odour.	<ul style="list-style-type: none"><li>• Strong-smelling foods should be wrapped closely.</li><li>• Check if foods are out of date or mouldy.</li><li>• Clean the interior.</li></ul>



Problem	Solution
The compressor may be heard working constantly.	<ul style="list-style-type: none"><li>• It is normal for the refrigerator to operate for longer where the ambient temperature is higher.</li><li>• Do not load the unit with too much fresh contents at one time.</li><li>• Do not put hot food into the unit. Wait for it to cool to room temperature first.</li><li>• The door is being opened too often.</li></ul>
The light does not work	<ul style="list-style-type: none"><li>• Check that the unit is plugged in and switched on.</li><li>• Check the light for damage.</li></ul>
The door cannot be closed properly	<ul style="list-style-type: none"><li>• Check that contents are not obstructing proper closure of the door.</li><li>• Check the unit is not overfilled.</li><li>• Check that the unit is level and stable.</li></ul>
The unit is excessively noisy.	<ul style="list-style-type: none"><li>• Check that the unit is level and stable.</li><li>• Check the contents for loose items that may be vibrating against the shelves or interior walls</li></ul>



## TROUBLESHOOTING NOTES



- The refrigerator enclosure may emit heat during operation specially in summer. This is caused by the radiation of the condenser, and is part of normal operation.
- Condensation: condensation may be seen on the exterior surface and door seals of the appliance when the ambient humidity high. This is a normal phenomenon, and any condensation may be wiped away with a clean cloth.
- Buzz: A buzz may be generated by the running compressor, especially when starting up or shutting down.

## Tips for energy saving

- Try not to open the door too often, especially when the weather is humid and hot. If you open the door, close it as soon as possible.
- Ensure the appliance has sufficiently ventilation, including adequate air circulation behind the appliance.
- In normal temperature conditions, set the thermostat to the middle "Med" setting.
- Before loading the appliance with fresh food, ensure it is cooled to room temperature.
- A build-up of ice and frost will increase energy consumption, so clean the appliance as soon as the layer is 3-5 mm thick.
- If the unit has an external condenser, the back wall should be clean and free of dust or dirt.
- The appliance should be located in the coolest area of the room, away from heat producing appliances or heating ducts, and out of direct sunlight.
- Allow hot foods to cool to room temperature before placing in the appliance. Overloading





the appliance forces the compressor to run longer. Foods that freeze too slowly may lose quality, or spoil.

- Be sure to wrap foods properly, and wipe containers dry before placing them in the appliance. This cuts down on frost build-up inside the appliance.
- The appliance's storage bin should not be lined with aluminum foil, wax paper, or paper towels. Liners interfere with the circulation of cold air, making the appliance less efficient.
- Organise and label food to reduce door openings. Remove only as many items as needed at any one time, and close the door as soon as possible.

## Disposal

Old units still have some residual value. An environmentally friendly method of disposal will ensure that valuable raw materials can be recovered and used again. The refrigerant used in your unit and insulation materials require special disposal procedures. Ensure that none of the pipes on the back of the unit are damaged prior to disposal. Up to date information concerning options of disposing of your old unit and packaging from the new one can be obtained from your local council office.

When disposing of an old unit, break any locks or latches and remove the door as a safeguard to prevent children becoming trapped.

### CORRECT DISPOSAL OF THIS PRODUCT



This marking indicates that this product should not be disposed with other household wastes throughout the EU. To prevent possible harm to the environment or human health from uncontrolled waste disposal, recycle it responsibly to promote the sustainable reuse of material resources. To return your used device, please use the return and collection systems or contact the retailer where the product was purchased. They can take this product for environmental safe recycling.

For more information, please contact your local authority or the retailer where you purchased the product.



---

**NOTES**





---

## NOTES





---

**NOTES**





## How to arrange service and obtain spare parts

**For service and spare parts contact 1300 762 219**

### **Notice to Australian customers:**

Our goods come with guarantees that cannot be excluded under the Australian Consumer Law. You are entitled to a replacement or refund for a major failure and compensation for any other reasonably foreseeable loss or damage. You are also entitled to have the goods repaired or replaced if the goods fail to be of acceptable quality and the failure does not amount to a major failure.

### **Notice to New Zealand customers:**

Our goods come with guarantees that cannot be excluded under the Consumer Guarantees Act 1993. This warranty should not be construed as any attempt to contract out of or exclude any or the guarantees available to any consumers under this Act provided that you agree that the provisions of the Consumer Guarantees Act 1993 will not apply if you are acquiring the goods for the purpose of a business.



# HUSKY<sup>®</sup>

## **HUSKY REFRIGERATION**

Distributed by Arisit Pty LTD.

### **Australia:**

40-44 Mark Anthony Dr, Dandenong South VIC 3175, Australia.  
AUS Contact Number: 1300 762 219

### **New Zealand:**

1A Howe Street, Freemans Bay, Auckland 1010, New Zealand.  
NZ Contact number: 09 306 10 20

Web: [www.huskybrand.com.au](http://www.huskybrand.com.au)

Service: 1300 762 219

Warranties Email: [arisit.warranties@arisit.com](mailto:arisit.warranties@arisit.com)

260219

