

HUS-115IN - 115L Husky Integrated Bar Fridge Freezer



- Integrated design
- Tempered glass shelves
- Manual defrost
- Convenient, compact size
- R600a refrigerant
- Adjustable thermostat
- Sliding temperature control
- Larger storage drawers
- Reversible door
- 3 Year Warranty
- EAN: 9351116005610



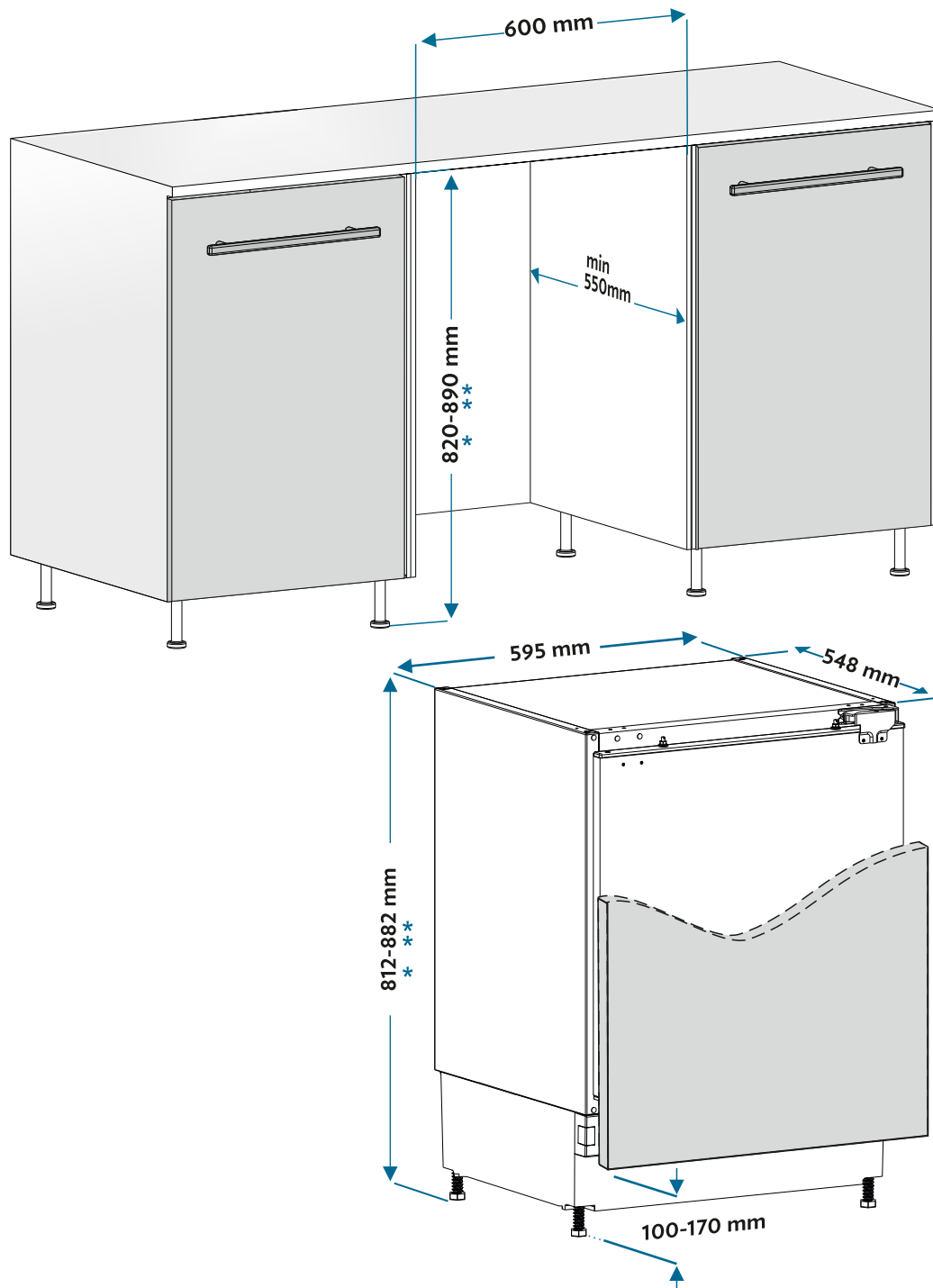
Specifications

MODEL	HUS-115IN
Total Capacity (Litres)	115lt
Fridge capacity	97.6lt
Freezer capacity	17.1lt
Performance	
Energy Efficiency	3.5 stars
Energy Consumption	165 kWh/year
Climate Class	T/SN
Rated Current	0.55A
Rated Voltage/Frequency	220-240V/50Hz
Rated Power (W)	123
FEATURES	
Temperature Control	Manual
Shelves	1
Reversible Door	Yes
Refrigerant	R600a
Defrost	Manual
Dimensions	
External HxWxD (mm)	812-818 x 595 x 548
Cut-out dimensions HxWxD (mm)	820-890 x 600 x 550
Power cable length	1.8 metres
Package Weight (kgs)	32.5
Product Weight (kgs)	29.5



3 YEAR WARRANTY

HUS-115IN - 115L Husky Integrated Bar Fridge Freezer



3 YEAR WARRANTY